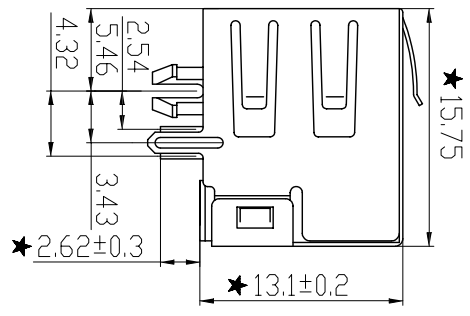
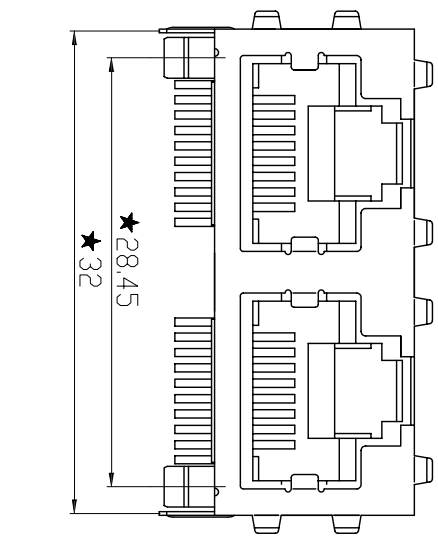
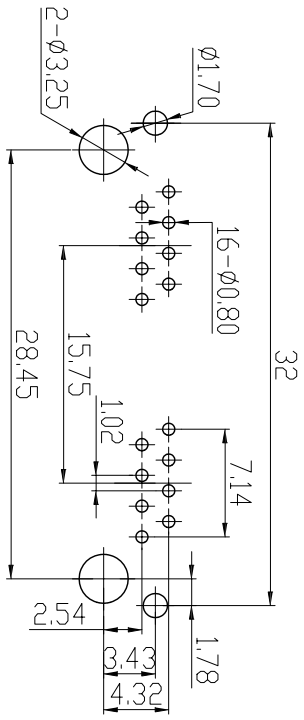
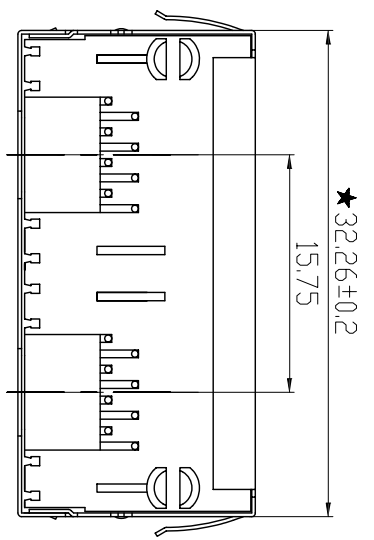


CATEGORY	DESCRIPTION	P/N #
CONNECTOR	Modular Jack, 8P8C, 1X2PORT	MJ5688-BX12-RS1

REV.	ECN NO	DESCRIPTION	REVISED	DATE
A01	—	New Release	GMC	2010.06.18



- SPECIFICATIONS:
1. Voltage: 150V AC RMS
  2. Current Rating: 1.5A
  3. Contact Resistance: 30mΩ MAX.
  4. Insulation Resistance: 500MΩ MIN.
  5. Dielectric Withstand Voltage :1000V AC
  6. Operate Temperature: -40°C~80°C
  7. Durability: 500 Mating Cycles MIN.



PC Board Layout

Part No.: MJ5688-BX12-RS1

Table 1

	Material & Plating
X	Terminal Plating
0	Au 1u" Plating
1	Au 3u" Plating
2	Au 6u" Plating
3	Au 15u" Plating
4	Au 30u" Plating
5	Au 50u" Plating

c	Shielding	1	Brass	Ni Plating	
b	Terminal	8	Phosphor Bronze	Terminal Plating	
a	Housing	1	PBT UL94V-0	See Color Scheme	
NO.	PART NAME	Q'TY	MATERIAL		
		4			
		3			
		2			
		1			

UNLESS OTHERWISE SPECIFIED TOLERANCES	DECIMALS:	ANGLES:	
X	:±0.5	X	:±2°
XX	:±0.3	XX	:±1°
XXX	:±0.2		

**Product Drawing**  
**Dongguan Hejing Electronic Co.,LTD**

SCALE: 1/1	UNIT: mm	DWG.NO:	WI-061-751
SIZE: A3	PAGE: 1 OF 1	REV: A01	
APPROVED BY	CHECKED BY	PREPARED BY	
TONY	WZ	WZ	

**CUSTOMER COPY**